

ILLUMINATIONS

PROFESSIONAL STYLE LIGHT SHOW®

LASER SHOW

READ, AND KEEP THESE INSTRUCTIONS FOR FUTURE REFERENCE

FAILURE TO FOLLOW THESE WARNINGS AND INSTRUCTIONS CAN RESULT IN SERIOUS INJURY OR DEATH TO USER, ESPECIALLY CHILDREN.

WARNING

IMPORTANT SAFETY INSTRUCTIONS:

When using electrical furnishing, basic precautions should always be followed, including the following: (Read all instructions before using this furnishing.)

READ AND FOLLOW ALL SAFETY INSTRUCTIONS:

1. WARNING: Always ensure light set is unplugged when left unattended.
2. WARNING: Read important safety instructions and cautions inside.
3. WARNING: Follow the instructions on the DANGER label on the laser projector.
4. WARNING: Do not remove any of the laser warning labels or attempt to open the laser housing.
5. This seasonal use product is not intended for permanent installation or use.
6. Do not mount or place near gas or electric heaters, fireplaces, candles, or other similar sources of heat.
7. Do not secure the product wiring with staples or nails, or place on sharp hooks or nails.
8. Do not use this product for other than its intended use.
9. Do not hang ornaments or other objects from cord, wire.
10. Do not operate unit with damaged plug.
11. Do not operate unit if it has been subjected to damage in any way.
12. Do not disassemble Adaptor. Disassembly may result in a risk of electric shock or fire.
13. Do not close doors or windows on the product or extension cords as this may damage the wire insulation.
14. Do not cover the product with cloth, paper, or any material not part of the product when in use.
15. Read and follow all instructions that are on the product or provided with the product.
16. The supply cord cannot be replaced. If the cord is damaged, the appliance should be scrapped.
17. Unplug the product when leaving the house, when retiring for the night, or if left unattended.
18. This is an electric product-not a toy! To avoid risk of fire, burns, personal injury, and electric shock, it should not be played with or placed where small children can reach it.
19. For a direct plug-in power unit, do not use in a bathroom.
20. Always unplug this furnishing from the electrical outlet before cleaning.

NOTICE:

Laser should not be projected at or within the flight path of an aircraft within 10 nautical miles of an airport. If your intended surface is within 10 nautical miles of an airport, lower the angle of the laser light so that no lasers point into the sky.

IMPORTANT

Damages caused by the disregard of this user manual are not subject to warranty. The dealer will not accept liability for any resulting defects or problems. Keep away from heaters and other heating sources! If the device has been exposed to drastic temperature fluctuation (e.g. after transportation), do not switch it on immediately. Leave the device switched off until it has reached room temperature. Please note that damages caused by manual modifications on the device or unauthorized operation by unqualified persons are not subject to warranty. Keep young children and amateurs away from the device!

WARNING:

1. WARNING: Do not use Star Shower Motion in any manner other than that intended by manufacturer to avoid exposure to hazardous laser radiation.
2. WARNING: Do not intentionally shine into eyes or face.
3. WARNING: Never look directly into the laser aperture.
4. WARNING: Do not attempt to open the housing of Star Shower Motion under any circumstance.

CAUTION:

1. Risk of Fire. Installation involves special wiring methods to run wiring through a building structure. Consult a qualified electrician.
2. Risk of Electric Shock. When used outdoors. When products are used in outdoor applications, connect the product to a Ground Fault Circuit Interrupting outlet. If the is not provided, contact a qualified electrician for proper installation.
3. To reduce the risk of fire and electric shock, use only the power supply that was provided with this product.
4. Do not replace or modify any connectors on this product; discard product if connector is damaged.
5. Make sure connectors are fully inserted and any connector rings are twisted until completely secured such that the ring can no longer be turned and the two portions of the connector are completely assembled.

SAVE THESE INSTRUCTIONS

This manual contains important safety and operating instructions for power units.

FCC NOTICES

This device complies with Part 15 of the FCC Rules. Operation is subject to the following two conditions:

1. this device may not cause harmful interference.
2. this device must accept any interference received, including interference that may cause undesired operation.

WARNING! Changes or modifications to this unit not expressly approved by the party responsible for compliance could void the user's authority to operate the equipment.

NOTE:

This equipment has been tested and found to comply with the limits for a Class B digital device, pursuant to Part 15 of the FCC Rules. These limits are designed to provide reasonable protection against harmful interference in a residential installation. This equipment generates, uses, and can radiate radio frequency energy and, if not installed and used in accordance with the instructions, may cause harmful interference to radio communications.

However, there is no guarantee that interference will not occur in a particular installation. If this equipment does cause harmful interference to radio or television reception, which can be determined by turning the equipment off and on, the user is encouraged to try to correct the interference by one or more of the following measures:

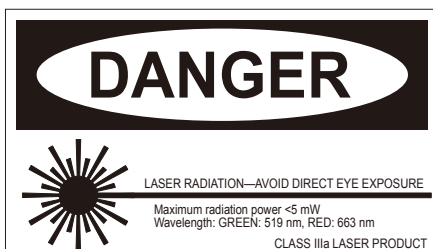
- Reorient or relocate the receiving antenna.
- Increase the separation between the equipment and receiver.
- Connect the equipment into an outlet on a circuit different from that to which the receiver is connected.
- Consult the dealer or an experienced radio/TV technician for help.

ATTENTION:

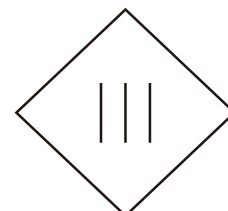
WEEE Directive & Product Disposal

At the end of its serviceable life, this product should not be treated as household or general waste.

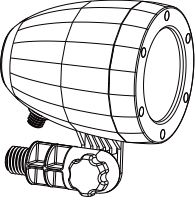
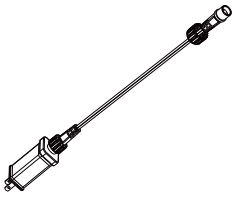


It should be handed over to the applicable collection point for the recycling of electrical and electronic equipment.



AVOID EXPOSURE-LASER RADIATION IS EMITTED FROM THIS APERTURE



PARTS LIST

Parts	 1	 2	 3	 4
Description	Laser Show	Power Supply	Ground Stake	Ground Stake Lock Screw
Qty.	x1	x1	x1	x1

PRODUCT DESCRIPTION

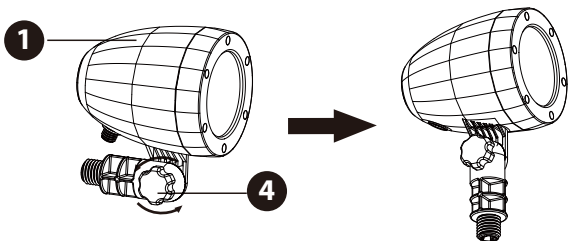
Laser Classification: FDA Class 3a
 Laser Wavelength: Red 663nm, Green 519nm
 Total Wattage: 10W
 Adapter Power Input: 120VAC, 60Hz, 0.22A

Adapter Power Output: 9V, 1.2A
 Operation: Indoor/Outdoor
 Operating Temperature: -22°F to 104°F (-30°C to 40°C)

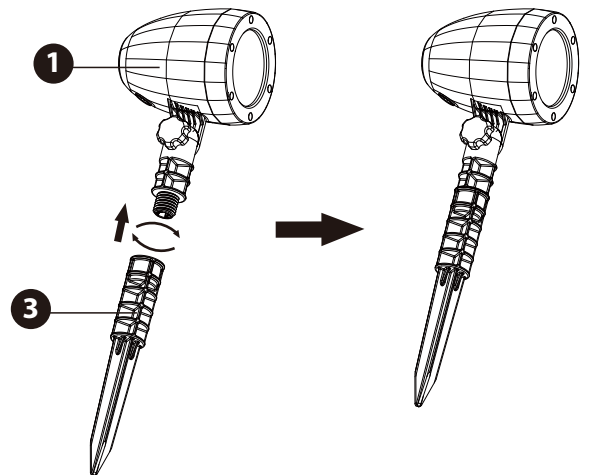
1. Laser Show will appear brightest in the dark and may look dimmer if there are competing sources of light, like street lights and porch lights.
2. Laser Show is intended to operate in temperature from -22°F to 100°F (-30°C to 40°C). At or below freezing temperature, it may take few minutes to warm up and reach its full projection power when first connecting with the electrical power.

SETUP INSTRUCTIONS

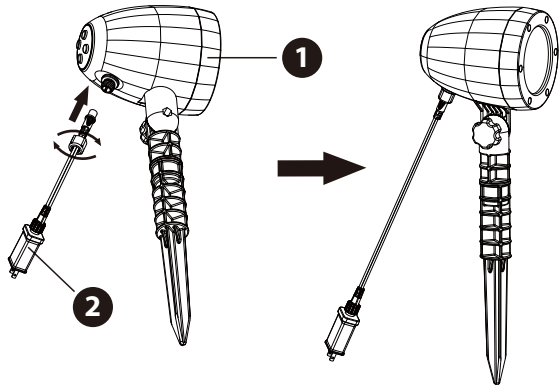
1. Turn the Ground Stake Lock Screw 4 in anti-clockwise to loosen the ground stake holder on Laser Show 1 by hand. Locate the ground stake holder to vertical, and screw thread point to the down side.



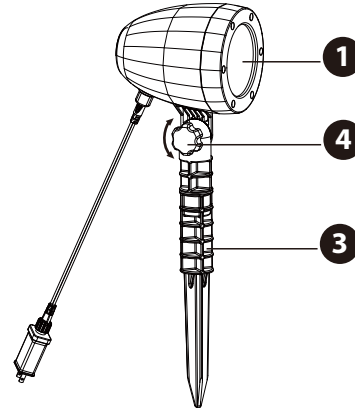
2. Put the Ground Stake 3 onto the end of ground stake holder on the Laser Show 1, and then turn the Ground Stake 3 in anti-clockwise to tighten the Ground Stake 3 on the Laser Show 1 by hand.



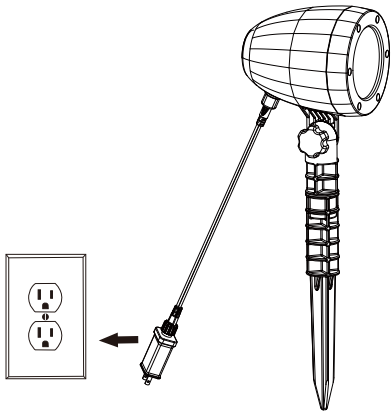
3. Connect the male plug of Power Supply ② to the female socket on Laser Show ①, and then turn the power cord lock nut clockwise to tighten the power cord on the Power Supply ② by hand.



4. Insert the Laser Show ① with Ground Stake ③ into the ground in the location intended. Loosen the Ground Stake Lock Screw ④ in anti-clockwise by hand, and then adjust the angle of the Laser Show ① so it is pointing at your intended projection surface. Turn the Ground Stake Lock Screw ④ in clockwise by hand to tighten the Laser Show ① with the Ground Stake ③.







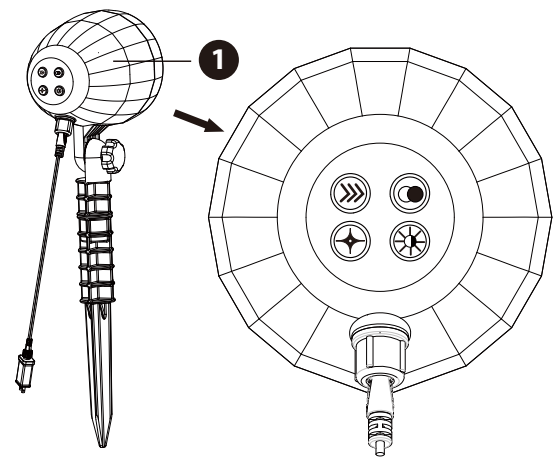
5. Plug the Power Supply ② into the outdoor electrical outlet and the Laser Show ① will light automatically.



6. The Laser Show has a timer to control ON/OFF automatically. The timer is defaulted 6 hours ON and 18 hours OFF when the Laser Show is connected with the electrical power. To reset the timer, disconnect the Laser Show electrical power from outdoor electrical outlet. And then, reconnect it.

7. To press the buttons on the Laser Show ① select the different functions listed below.

Button				
	Laser Light Color Selection	Laser Light Brightness Selection	Laser Light Hologram Motion Speed Selection	Laser Light Hologram Twinkle Speed Selection
Function	i. Red ii. Green iii. Red & Green iv. OFF	i. Brightest ii. Bright iii. Normal iv. Dim	i. Fast ii. Middle iii. Slow iv. OFF	i. Fast ii. Middle iii. Slow iv. OFF



Should you encounter any problems, contact Customer Service at (888) 919-0070 from 8 AM to 5 PM Mon. thru Fri. EST. Extended operating days and hours during peak season requirements.