

## NEED HELP?

DO NOT RETURN TO STORE. PLEASE VISIT US AT:  
[www.polygroupstore.com](http://www.polygroupstore.com) OR 1-888-919-0070



## TREE ASSEMBLY INSTRUCTIONS

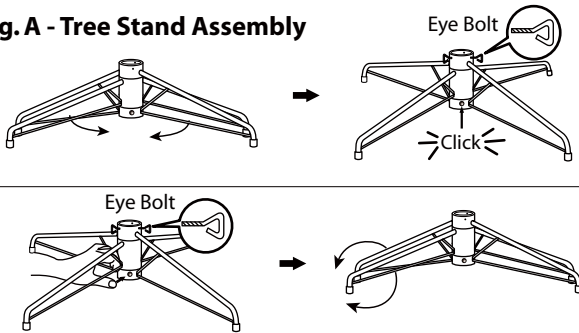
Thank you for purchasing your new tree from **Polygroup®**!

This tree comes with Quick Set® technology - allowing you to set up your tree and light it up in minutes!

Carefully follow the instructions below on how to set up your tree quickly and easily.

1. Before you start assembling your tree, choose an appropriate location near a wall outlet.
2. Assemble the tree stand and place on a level surface. (See Fig. A)

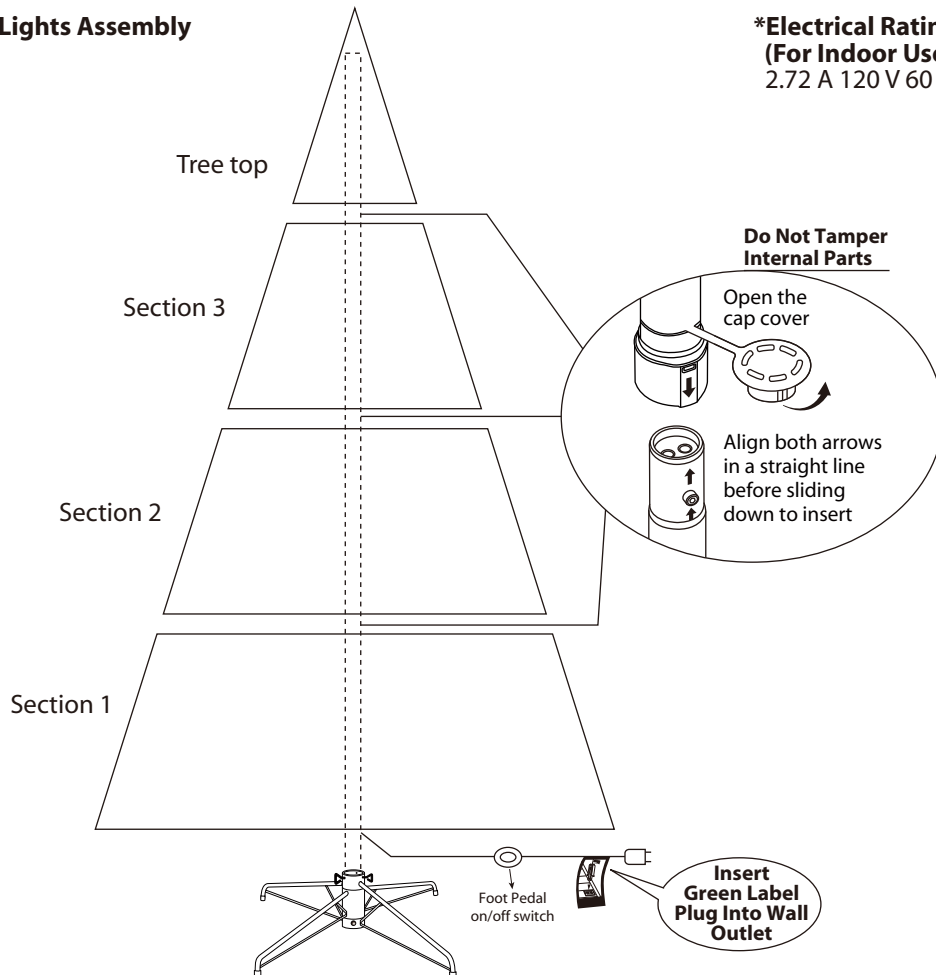
**Fig. A - Tree Stand Assembly**



1. Pull apart the legs of the stand so that they are snapped into an x-shape, place the tree stand on a level surface.
2. When inserting the bottom section of the tree into the assembled stand, insert and turn the eyebolts into the stand and tighten until the tree pole is firmly secured.

To close the stand, remove the eyebolts, press the metal button and fold the legs together.

**Fig. B - Tree and Lights Assembly**



**\*Electrical Rating For The Tree  
(For Indoor Use Only)**  
2.72 A 120 V 60 Hz

**Do Not Tamper  
Internal Parts**



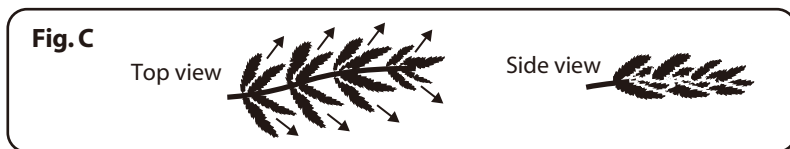
Open the cap cover

Align both arrows in a straight line before sliding down to insert

Insert Green Label Plug Into Wall Outlet

3. Each tree section is numbered with a sticker. Please identify all sections before assembling.
4. Assemble the tree from bottom to the top. Start with the bottom section by inserting it into the assembled stand. Make sure the pole is firmly inserted and secured.
5. Remove the protective cap of upper sections before inserting lower sections. Follow the direction of the arrow marked on the adapter to insert.
6. Allow branches to fall into place or gently pull up and out. When adjusting the branches, be sure that all wires are free of branch hinges.
7. Insert green label plug into the wall outlet. (see Fig. B ) Your entire tree should now be lit. If some bulbs flicker or do not turn on, search for any loose plugs and/or broken, loose or missing bulbs. Connect the plugs and replace the bad bulbs promptly in order to maintain the performance and life expectancy of your pre-lit tree.

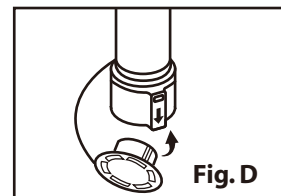
8. Begin to shape the branches and tips working from the bottom to the top. Start with tips furthest from the pole and fan out from the side before moving towards the middle of the branch. **(See Fig. C)**



9. After you finish shaping the tree, slightly upsweep all branch tips for a uniform look. Shift branches to fill any gaps. Your Christmas tree is now complete and ready to be decorated.

## STORAGE INSTRUCTIONS

1. Unplug extension cord from the wall outlet first before removing all ornaments and decorations.
2. Disassemble the tree from the top to the bottom. Start with the tree top and gently lift straight up to detach from section below. Fold all branches toward the pole.
3. Continue by gently lifting straight up each section(s) from the section below and fold all branches toward the pole until the bottom section is removed from the tree stand. Cover the protective cap on the poles to avoid damaging the internal parts. **(See Fig. D)**
4. Carefully place all tree sections into shipping box and tape it shut.
5. When not in use, please store your tree in a cool, dry place away from sunlight. Exposing your tree to excessive heat or humidity may damage your tree.



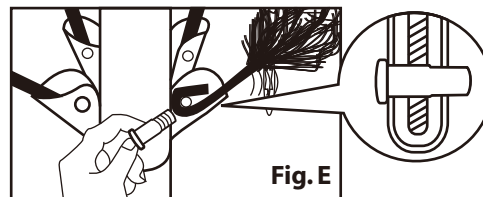
## TROUBLESHOOTING TIPS

### For Pre-lit Trees, If The Tree Does Not Illuminate

1. Please check to make sure that all plugs are properly connected and power cord is plugged into the wall outlet. (If the tree comes with a foot pedal, try stepping on the on/off button).
2. Turning the poles gently to make sure pole to pole are connected into place.
3. Check for loose connection between light string plugs and extension cords.
4. Please check for loose, broken or missing light bulbs and replace as needed.

### Loose Hinge Pin

1. Extra hinge pins are included for repairing the hinges. Place the branch into the slot of the bracket.
2. Insert a new hinge pin through the hole and secure using the retainer washer. **(See Fig. E)**



## SPARE PARTS

Each tree includes hinge pins/washers, and for pre-lit trees spare bulbs and fuses are also included. If extra parts are needed, please contact our customer service center.

## CUSTOMER SERVICE FOR CHRISTMAS TREES

For any questions, assistance, or missing parts, **Do Not Return To Place Of Purchase.** Please contact us at 1-888-919-0070 or visit our website at [www.polygroupstore.com](http://www.polygroupstore.com). One of our customer service representatives will be happy to assist you.

Tree ID#: \_\_\_\_\_

Customer Name: \_\_\_\_\_

Tree UPC#: \_\_\_\_\_

Address(No P.O. Boxes): \_\_\_\_\_

Store Purchased: \_\_\_\_\_

City & State: \_\_\_\_\_

Specify Problem: \_\_\_\_\_

Zip Code: \_\_\_\_\_

\_\_\_\_\_

Day Phone: \_\_\_\_\_

\_\_\_\_\_

Date Purchased: \_\_\_\_\_

**TREE ID# IS LOCATED ON END PANEL OF BOX. TREE ID# IS REQUIRED WHEN REQUESTING REPLACEMENT PARTS.**