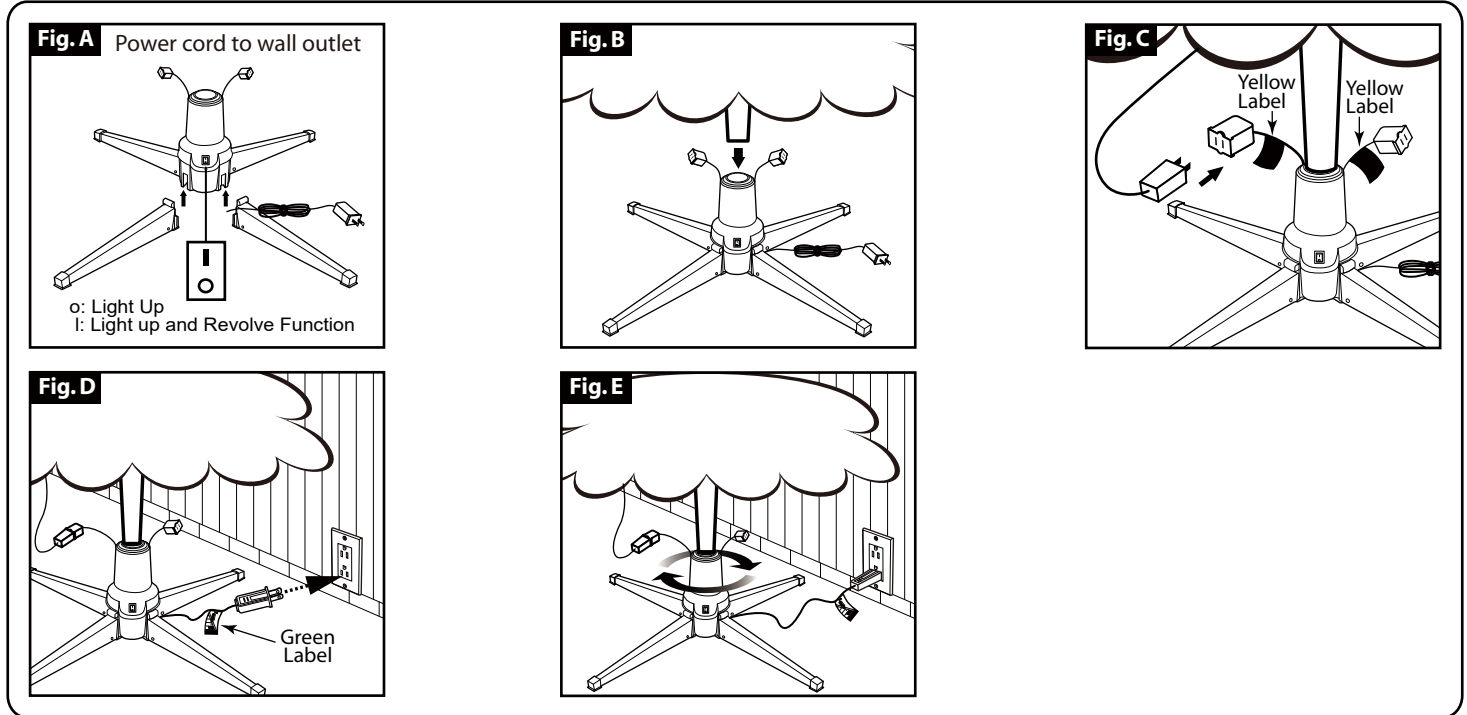


NEED HELP?

DO NOT RETURN TO STORE. PLEASE VISIT US AT:
www.polygroupstore.com OR 1-888-919-0070

ROTATING TREE STAND ASSEMBLY INSTRUCTIONS

Congratulations on purchasing your new rotating tree stand from **Polygroup®**! Carefully follow the instructions below on how to quickly and easily set up your new stand.



1. Before you start to assemble your tree with rotating tree stand, choose an appropriate location near a wall outlet.
2. Slide the four stand legs upward into slots at the base of the stand until secure. **(Fig. A)**
3. Place assembled rotating tree stand on a level surface.
4. Insert your Christmas tree's metal pole into the rotating tree stand. HINT: Insert your Christmas tree's bottom section ONLY into the rotating tree stand first and then continue with the remaining section to minimize heavy lifting. **(Fig. B)**
5. Plug in your Christmas tree lights into any of the yellow labelled outlet receiver on the rotating tree stand. Please do not overload. **(Fig. C)**
6. Plug in the green labelled rotating tree stand plug into wall outlet. **(Fig. D)**
7. Turn on the switch on the rotating tree stand. Your entire tree should now be lit and rotating. **(Fig. E)** If some bulbs do not light or flickers, please refer to your Christmas tree's instruction manual.

SPARE PARTS

Each rotating tree stand includes the following:

- 1 x stand base
- 4 x stand legs
- 1 x extra fuse located in the green labelled wall outlet plug

IMPORTANT SAFETY INSTRUCTIONS

When using electrical products, basic precautions should always be followed including the following:

1. READ AND FOLLOW ALL SAFETY INSTRUCTIONS.

2. For indoor use only. Use only with an artificial tree. This stand does not contain a cell for water. When using electrical products, basic precautions should always be followed including the following:
3. Do not use seasonal products outdoors unless marked suitable for indoor and outdoor use. When products are used in outdoor applications, connect the product to a Ground Fault Circuit Interrupting (GFCI) outlet. If one is not provided, contact a qualified electrician for proper installation.
4. This seasonal use product is not intended for permanent installation or use.
5. Do not mount or place near gas or electric heaters, fireplaces, candles or other similar sources of heat.
6. Do not secure the wiring of product with staples or nails, or place on sharp hooks or nails.
7. Do not let lamps rest on the supply cord or on any wire.
8. Unplug the product when leaving the house, when retiring for the night, or if left unattended.
9. This is an electric product-not a toy! To avoid risk of fire, burns, personal injury and electric shock it should not be played with or placed where small children can reach it.
10. Do not use this product for other than its intended use. The stand just for Christmas tree.
11. Do not hang ornaments or other objects from cord, wire, or light string.
12. Do not close doors or windows on the product or extension cords as this may damage the wire insulation.
13. Do not cover the product with cloth, paper or any material not part of the product when in use.
14. This product has a polarized plug (one blade is wider than the other) as a feature to reduce the risk of electric shock. This plug will fit in a polarized outlet only one way. If the plug does not fit fully in the outlet, reverse the plug. If it still does not fit, contact a qualified electrician. Do not use with an extension cord unless plug can be fully inserted. Do not alter or replace the plug.
15. This product employs overload protection (fuse). A blown fuse indicates an overload or short-circuit situation. If the fuse blows, unplug the product from the outlet. Also unplug any additional strings or products that may be attached to the product. Replace the fuse as per the user servicing instructions. (follow product marking for proper fuse rating) and check the product, if the replacement fuse blows, a short-circuit may be present and the product should be discarded.
16. Max loading current / power: 7A / 840W. Electrical Rating for the Stand: AC120V 60Hz Max 0.04A.
17. Load of tree: Max. 90 lbs. Height of Tree: Max. 7.5 feet.
18. Read and follow all instructions that are on the product or provided with the product.

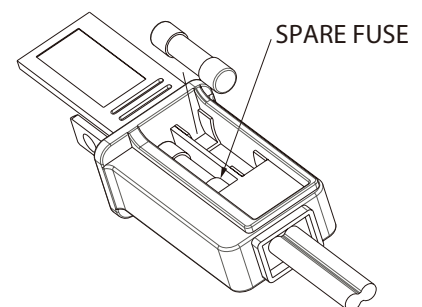
19. SAVE THESE INSTRUCTIONS.

USE AND CARE INSTRUCTIONS

- a) Before using or reusing, inspect product carefully. Discard any products that have cut, damaged, or frayed wire insulation or cords, cracks in the lampholders or enclosures, loose connections, or exposed copper wire.
- b) When storing the product, carefully remove the product from wherever it is placed, including trees, branches, or bushes, to avoid any undue strain or stress on the product conductors, connections, and wires.
- c) When not in use, store neatly in a cool, dry location protected from sunlight.

USER SERVICING INSTRUCTIONS: FUSE REPLACEMENT

- (1) Grasp plug and remove from the receptacle or other outlet device.
Do not unplug by pulling on cord.
- (2) Open fuse cover, slide open fuse access cover on top of attachment plug towards blades.
- (3) Remove fuse carefully, turn fuseholder over remove fuse.
- (4) Risk of fire. Replace fuse only with 7 Amp 125 Volt fuse for the power cord set (provided with product).
- (5) Close fuse cover. Slide closed fuse access cover on top of attachment plug.
- (6) Risk of fire. Do not replace attachment plug. Contains a safety device (fuse) that should not be removed. Discard product if the attachment plug is damaged. If connecting a lighting string that does not have a Wattage (W) rating (found on the tag within 6 inches of the plug) to this product, calculate the wattage as follows: Multiply the current (A) which is on the flag-type tag by 120. For Example: Lighting string is rated 120V, 60Hz, 0.2Amp. $0.2 \times 120 = 24$ Watts. Add the wattage of each light string together for a total of 420 Watts or less.
(Do not exceed 420 Watts)



CAUTION

To reduce the risk of fire and electric shock:

- a) Do not install on trees having needles, leaves or branch coverings of metal or materials which look like metal, and
- b) Do not mount or support strings in a manner that can cut or damage wire insulation.