

## TREE ASSEMBLY INSTRUCTIONS

Congratulations on purchasing your new tree from **Polygroup®!**

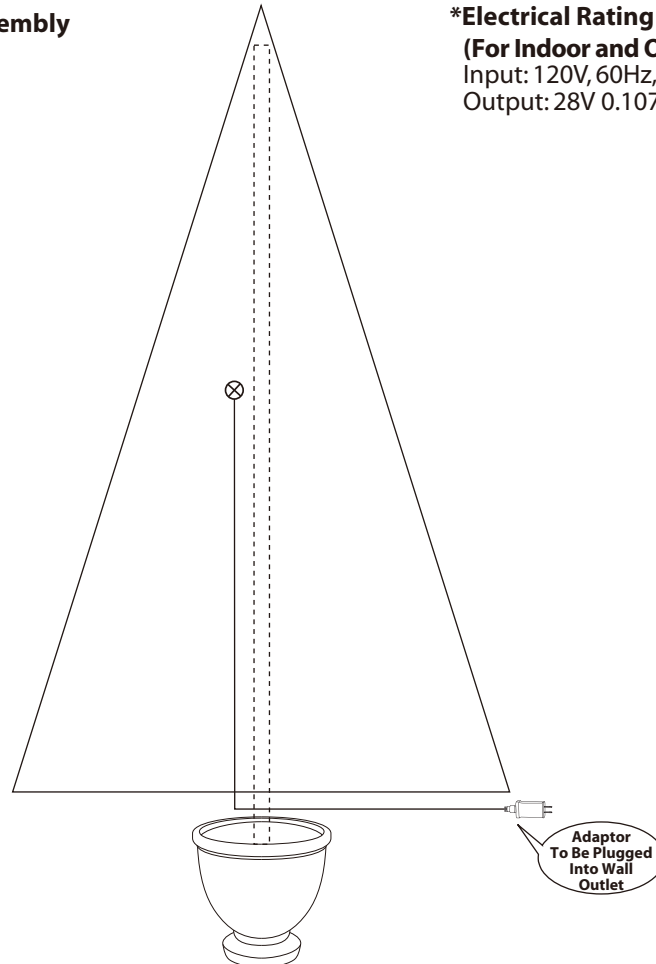
Carefully follow the instructions below on how to quickly and easily set up your new tree.

1. Before you start to assemble your tree, choose an appropriate location near a wall outlet.
2. Place the tree pot on a level surface. **(See Fig.A)**

**Fig. A - Tree Pot**



**Fig.B - Tree and Light Assembly**



**\*Electrical Rating For The Tree  
(For Indoor and Outdoor Use)**  
Input: 120V, 60Hz, 0.18A  
Output: 28V 0.107A

3. Carefully insert the tree body into the assembled pot. Make sure the pole is firmly inserted into pot.
4. Shape the branches. Shift branches to fill any gaps, lightly upweep all branch tips for a uniform look. Your tree is now ready to decorate.
5. Plug the cord into wall outlet.

## STORAGE INSTRUCTIONS

1. Unplug light string from the wall outlet and remove all ornaments and decorations.
2. Gently lift off the tree body from the tree stand.
3. Carefully place the tree into shipping box and tape it shut.
4. When not in use, please store your tree in a cool, dry place away from sunlight.  
Exposing your tree to excessive heat or humidity may damage your tree.

## TROUBLESHOOTING TIPS

### For Pre-lit Trees, If The Tree Does Not Illuminate

1. Please check to make sure that all plugs are properly connected according to the color labels indicated in **Fig.B** and the adaptor is plugged into the wall outlet. Refer to assembly guide for instructions.
2. Check for loose connection between light string plugs and extension cords.
3. Please check for loose, broken or missing light bulbs and replace as needed.

## SPARE PARTS

For pre-lit trees spare bulbs are included. If extra parts are needed, please contact our customer service center.

## ⚠️ WARNING

1. Use only the adaptor supplied with this product. Using a different adaptor will damage the lights and cause fire, electrical shock hazards.
2. FOR INDOOR USE ONLY.
3. The external flexible cable or cord of this luminaire cannot be replaced; If the cord is damaged, the luminaire shall be destroyed.

## IMPORTANT SAFETY INSTRUCTIONS

When using electrical products, basic precautions should always be followed including the following:

- a. **READ AND FOLLOW ALL SAFETY INSTRUCTIONS.**
- b. Do not use seasonal products outdoors unless marked suitable for indoor and outdoor use. When products are used in outdoor applications, connect the product to a Ground Fault Circuit Interrupting (GFCI) outlet. If one is not provided, contact a qualified electrician for proper installation.
- c. This seasonal use product is not intended for permanent installation or use.
- d. Do not mount or place near gas or electric heaters, fireplaces, candles or other similar sources of heat.
- e. Do not secure the wiring of the product with staples or nails, or place on sharp hooks or nails.
- f. Do not let lamps rest on the supply cord or on any wire.
- g. Unplug the product when leaving the house, when retiring for the night, or if left unattended.
- h. This is not a toy. For decorative use only! To avoid risk of fire, burns, personal injury and electric shock it should not be played with or placed where small children can reach it.
- i. Do not use this product for other than its intended use.
- j. Do not hang ornaments or other objects from cord, wire, or light string.
- k. Do not close doors or windows on the product or extension cords as this may damage wire insulation.
- l. Do not cover the product with cloth, paper or any material not part of the product when in use.
- m. This product is equipped with push-in type lamps. Do not twist lamps.
- n. Read and follow all instructions that are on the product or provided with the product.

## o. SAVE THESE INSTRUCTIONS

## USER SERVICING INSTRUCTIONS

### Lamp Replacement

**Step 1.** Unplug from power source, by pulling out the adaptor itself - do not pull on the power cord.

**Step 2.** Lift up the lamp lock tab, and pull the bulb and its plastic base straight out from the lampholder.



**Step 3.** Replace with a new spare LED lamp (included).



(For reference only)

## CAUTION:

1. Risk of fire. Use only the power adaptor provided with this product. Do not replace lamps with other than the spare lamps provided with this product.
2. To reduce the risk of fire and electric shock:
  - a. Do not mount or support light strings in a manner that can cut or damage wire insulation, and
  - b. Use only the power supply cord provided with this product.

## CUSTOMER SERVICE FOR CHRISTMAS TREES

For any questions, assistance, or missing parts, **Do Not Return To Place Of Purchase.** Please contact us at 1-888-919-0070 or visit our website at [www.polygroupstore.com](http://www.polygroupstore.com). One of our customer service representatives will be happy to assist you.

Tree ID#: \_\_\_\_\_ Customer Name: \_\_\_\_\_

Tree UPC#: \_\_\_\_\_ Address(No P.O. Boxes): \_\_\_\_\_

Store Purchased: \_\_\_\_\_ City & State: \_\_\_\_\_

Specify Problem: \_\_\_\_\_ Zip Code: \_\_\_\_\_

\_\_\_\_\_ Day Phone: \_\_\_\_\_

\_\_\_\_\_ Date Purchased: \_\_\_\_\_

**TREE ID# IS LOCATED ON END PANEL OF BOX. TREE ID# IS REQUIRED WHEN REQUESTING REPLACEMENT PARTS.**