

Safety Information

IMPORTANT SAFETY INSTRUCTIONS

When using electrical products, basic precautions should always be followed, including the following:

- a. **READ AND FOLLOW ALL SAFETY INSTRUCTIONS.**
- b. This product is for indoor use only. The electrical rating is **2.04A 120V 60Hz**.
- c. This seasonal product is not intended for permanent installation or use.
- d. Do not mount or place the product near gas or electric heaters, fireplaces, candles, or other similar sources of heat.
- e. Do not secure the wiring of the product with staples or nails, or place on sharp hooks or nails.
- f. Do not let lamps rest on the supply cord or on any wire.
- g. Unplug the product when leaving the house, when retiring for the night, or if left unattended.
- h. This is an electric product and not a toy! To avoid risk of fire, burns, personal injury and electric shock it should not be played with or placed where small children can reach it.
- i. Do not use this product for other than its intended use.
- j. Do not hang ornaments or other objects from cord, wire, or light string.
- k. Do not close doors or windows on the product or extensions cords as this may damage the wire insulation.
- l. Do not cover the product with cloth, paper, or any material that is not a part of the product when in use.
- m. Read and follow all instructions that are on the product or provided with the product.

n. SAVE THESE INSTRUCTIONS

Pre-Assembly

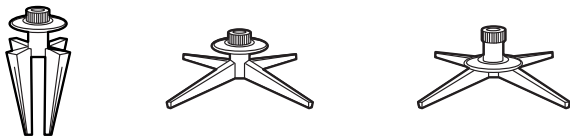
Package Contents

Part	Description	Quantity
A	Tree top, tag 3	1
B	Tree center, tag 2	1
C	Tree bottom, tag 1	1
D	Tree stand	1

Assembly

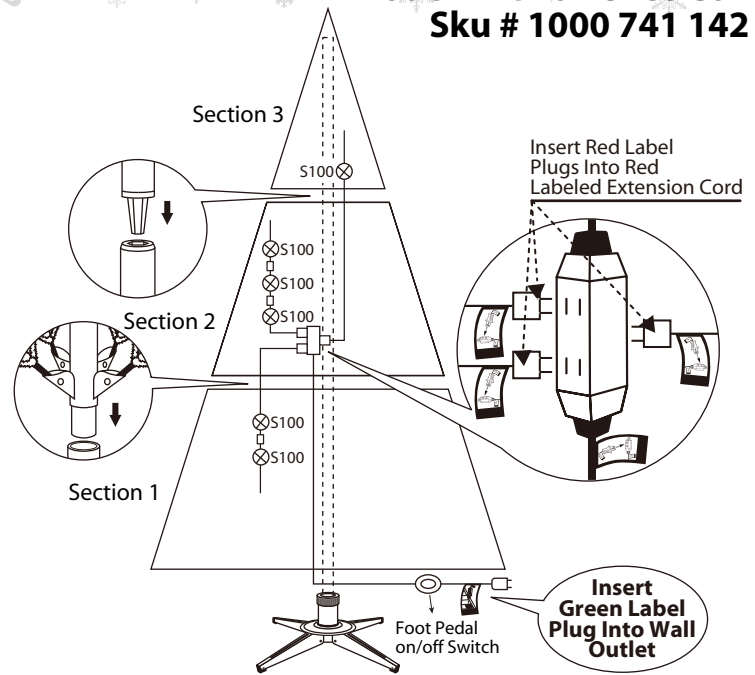
Assembling the tree stand

- Step 1. Choose a location near a wall outlet.
- Step 2. Unfold the legs of the tree stand (C) and lay the stand on the floor.
- Step 3. Slide the locking disk of the tree stand (C) down until it snaps into place.



Assembling the tree

- Step 1. Remove the protective caps from the tree bottom (C) and insert the pole into the tree stand (D).
- Step 2. Remove the protective caps from the tree center (B) and insert the pole into the tree bottom (C).
- Step 3. Insert the tree top (A) into the tree center (B).
- Step 4. Shape the branches to your preference by working from the bottom to the top. When adjusting branches, ensure that all wires are free of branch hinges.
- Step 5. Connect the plug(s) securely to the extension cord(s) as per the color labels indicated in attached photo and insert the green label extension cord plug into the wall outlet.



Step 6. When finished shaping the branches, slightly upsweep all branch tips for a uniform look.

Operation

Turning on the tree

NOTE: If some bulbs do not light or flicker, search for any loose plugs and/or broken, loose, or missing bulbs. Replace bulbs promptly with the replacement bulbs provided in order to maintain the performance and life expectancy of your tree.

- Step 1. Connect the light strings of the tree together and plug the power cord into a wall outlet.
- Step 2. If the tree comes with a foot pedal, step on the On/Off button.

Maintenance

Spare parts

This tree package includes hinge pins, washers, fuse and bulbs for any replacement or repair that you need to perform on your tree. If extra parts are needed, contact the Customer Service Team at 1-877-527-0313 between the hours of 8 am and 5 pm EST, Monday through Friday.

Repairing Loose Hinges

- Step 1. Place the branch into the slot of the bracket
- Step 2. Insert a new hinge pin through the holes of the bracket and secure with a washer.

Care and Cleaning

- Step 1. Remove all ornaments and decorations.
- Step 2. Unplug the cord from the wall and then unplug each section of the tree.
- Step 3. Gently lift the tree top straight up to remove from the center section and fold all branches towards the pole.
- Step 4. Repeat this step for the bottom tree section.
- Step 5. Carefully place all tree sections into a shipping box and tape it shut.
- Step 6. Store your tree in a cool, dry place away from sunlight.

Troubleshooting

Problem	Solution
The tree does not light	Ensure that all tree sections are plugged into each other and that the tree is plugged into the wall. If your tree came with a foot pedal, step on the On/Off button.
	Check for blown fuses at the power cord plug. Replace as needed with the replacement fuses provided.
	Check for loose, broken, or missing bulbs and replace as needed with the replacement bulbs provided